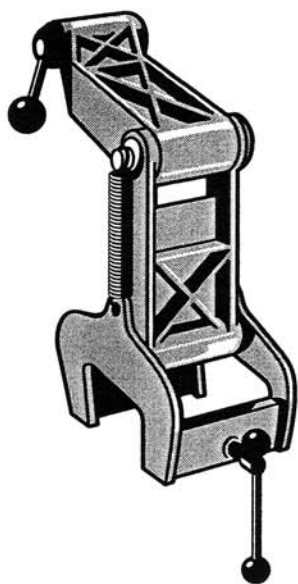
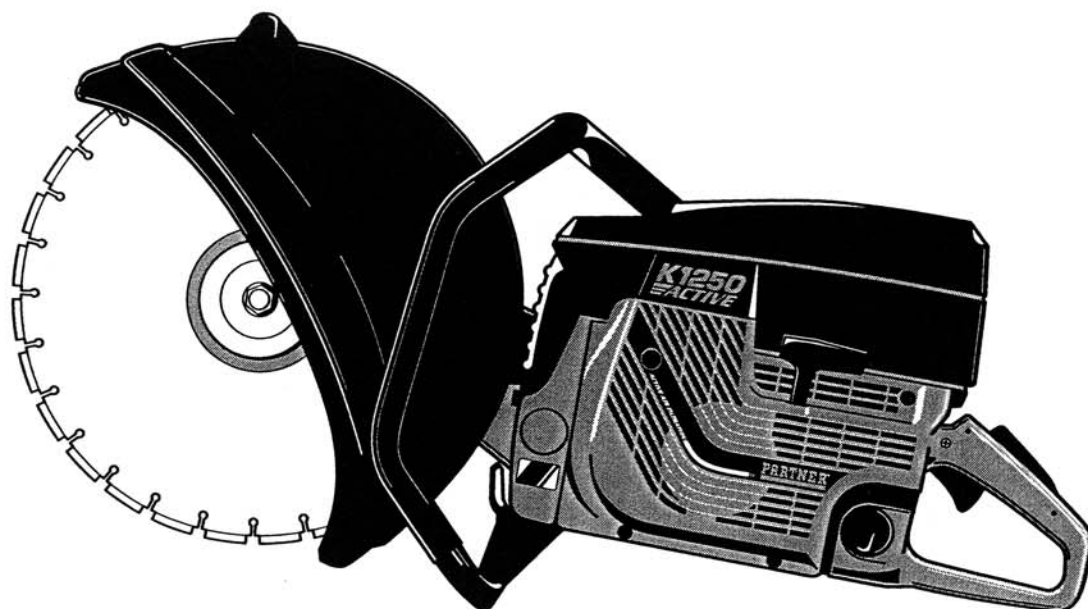


PARTNER

Illustrated Parts List 2002-05 CD



K1250 RAIL-16" 2001-2002
RA 10



108 30 00-65

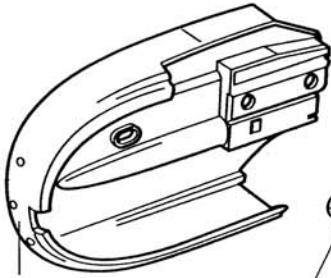
PARTNER®

A

compl 506 26 66-01*

503 20 30-11 506 26 68-01*

503 22 66-01

*compl 506 27 92-38
(includes the belt adjuster)

503 20 00-45

506 34 74-38 (16")

506 28 44-01

506 22 75-01

Arm compl
506 26 70-38 16"

503 20 02-16 (x2)

506 22 75-01

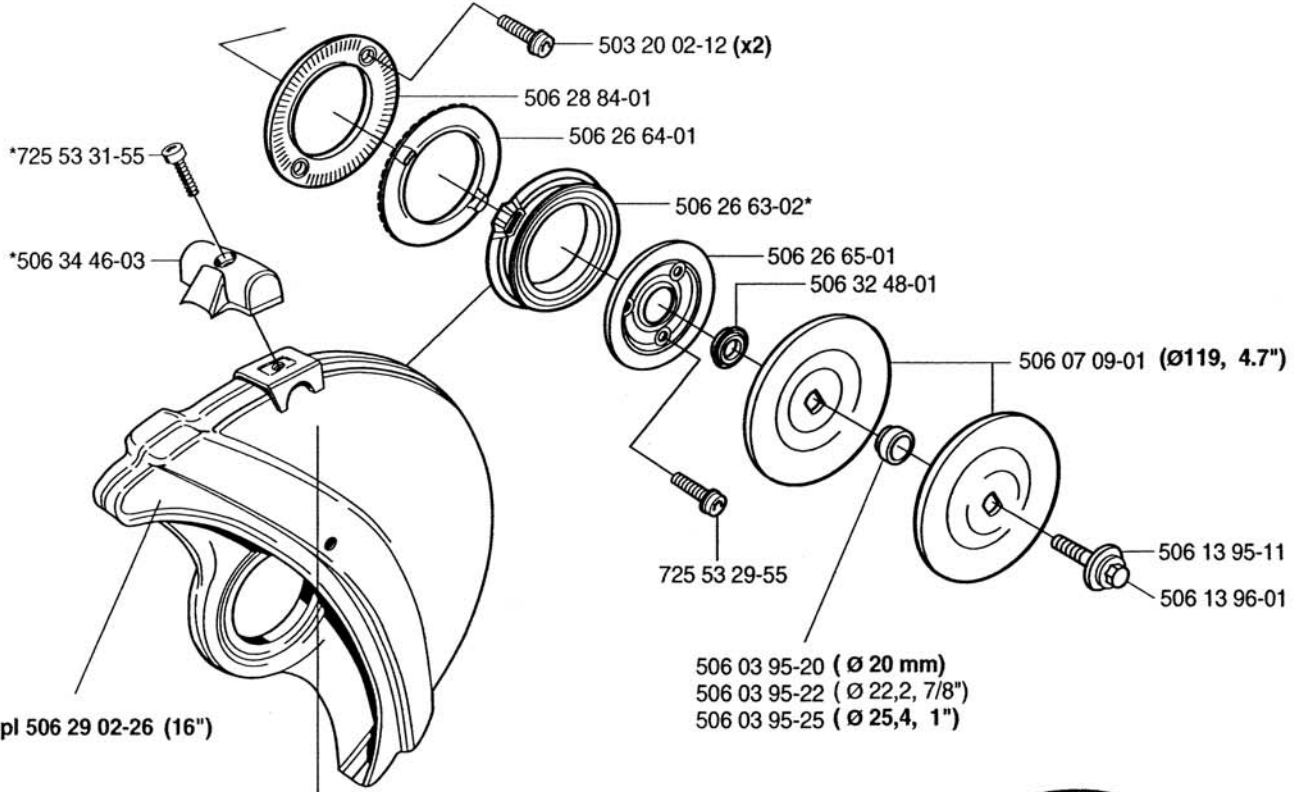
503 23 01-04

506 07 18-02 (Ø 98, 3 7/8")

503 25 21-01

506 29 83-63

506 07 08-01

B

503 20 02-12 (x2)

506 28 84-01

506 26 64-01

*725 53 31-55

506 26 63-02*

*506 34 46-03

506 26 65-01

506 32 48-01

506 07 09-01 (Ø119, 4.7")

725 53 29-55

506 13 95-11

506 13 96-01

506 03 95-20 (Ø 20 mm)

506 03 95-22 (Ø 22,2, 7/8")

506 03 95-25 (Ø 25,4, 1")

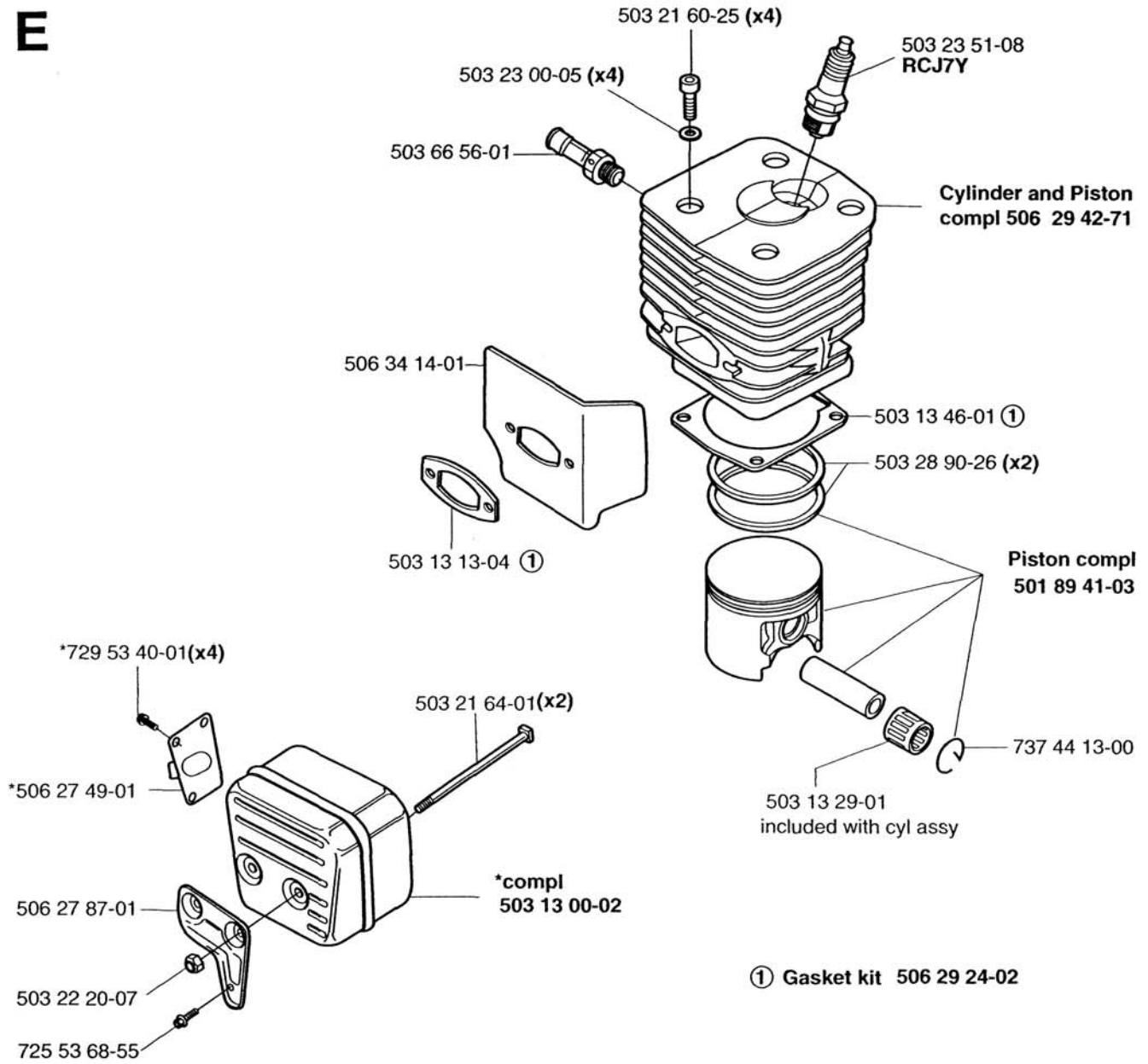
*compl 506 29 02-26 (16")



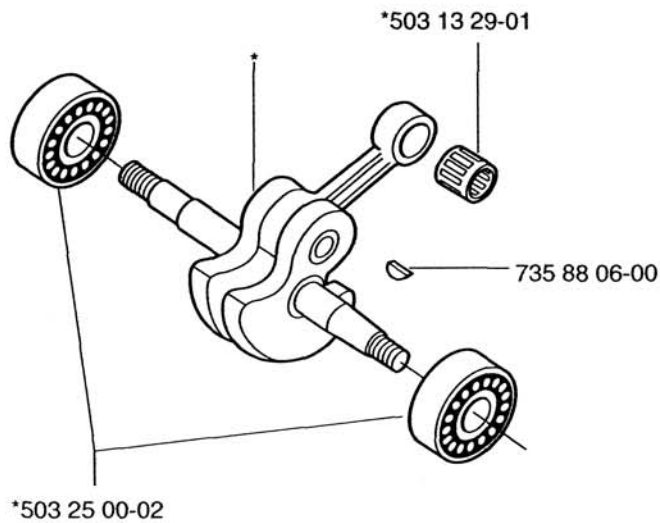
16" - 506 28 40-24, Ø 1"

506 03 88-01



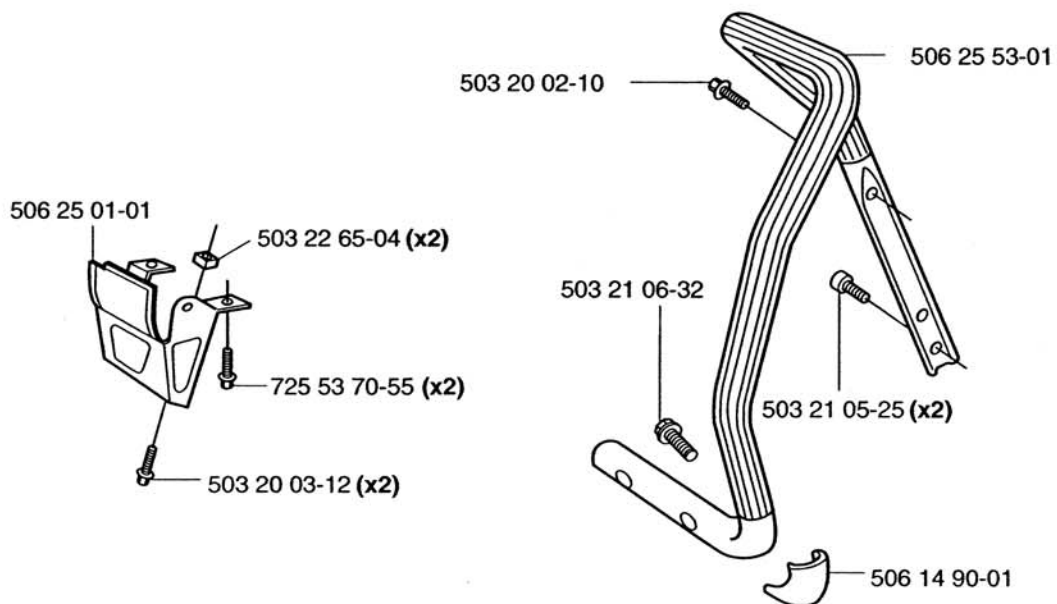
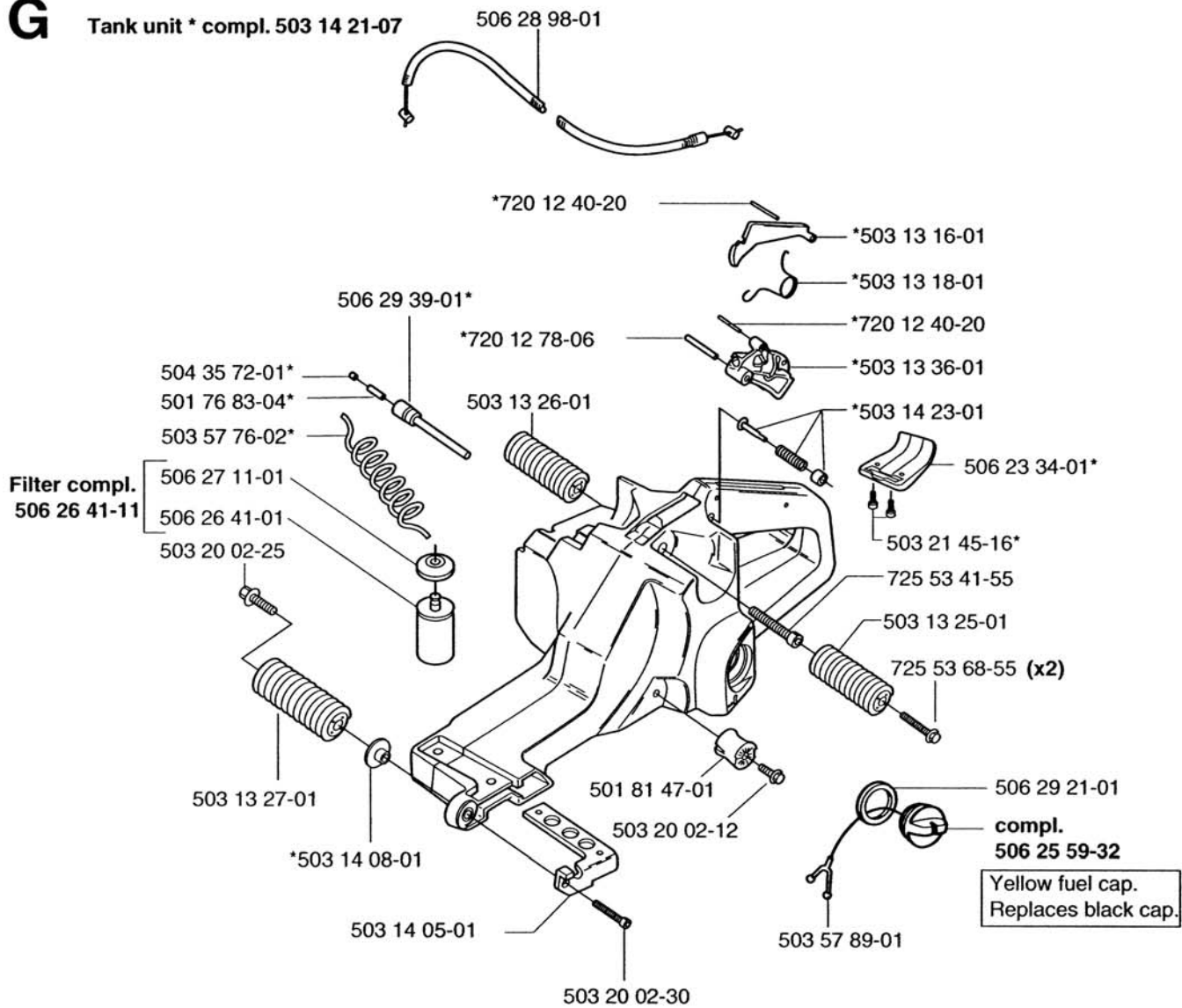
E**F**

*compl. 503 14 20-72



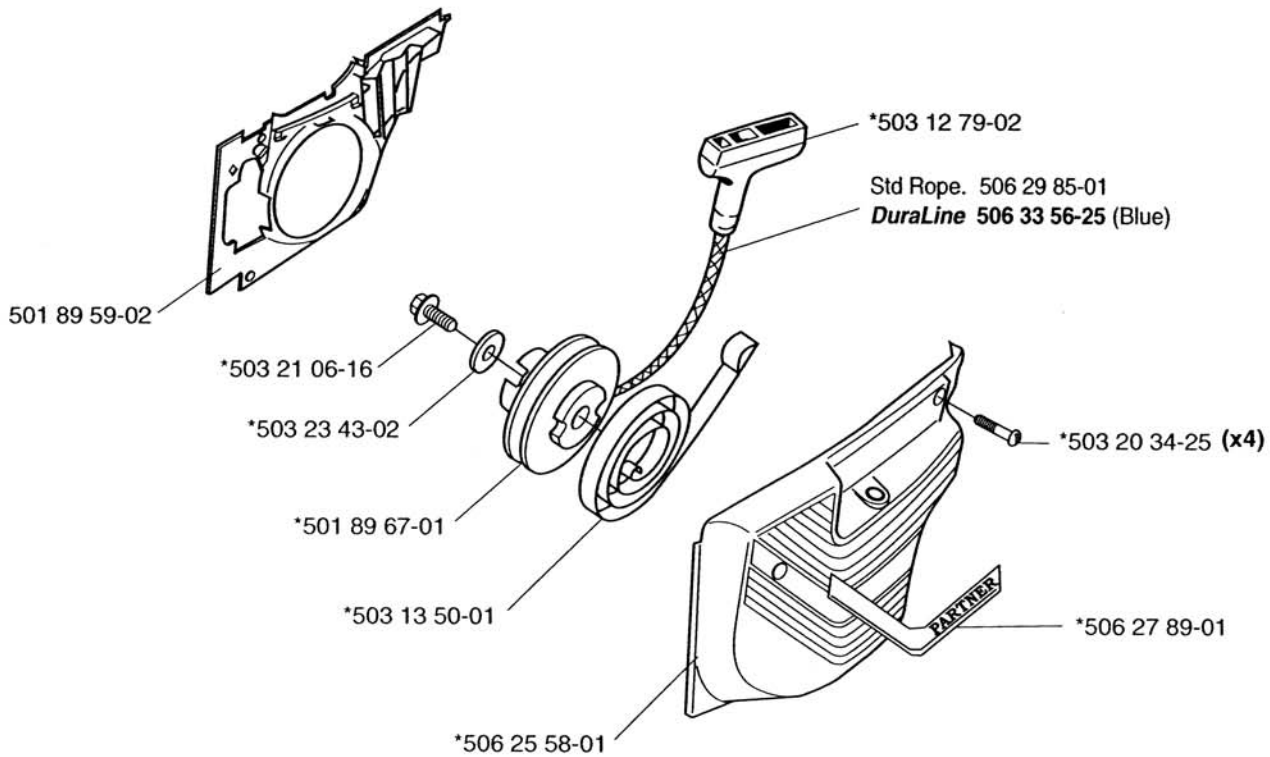
G

Tank unit * compl. 503 14 21-07

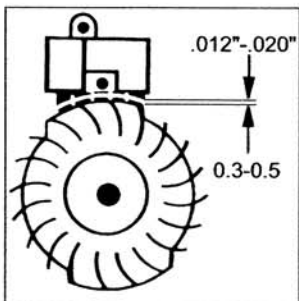
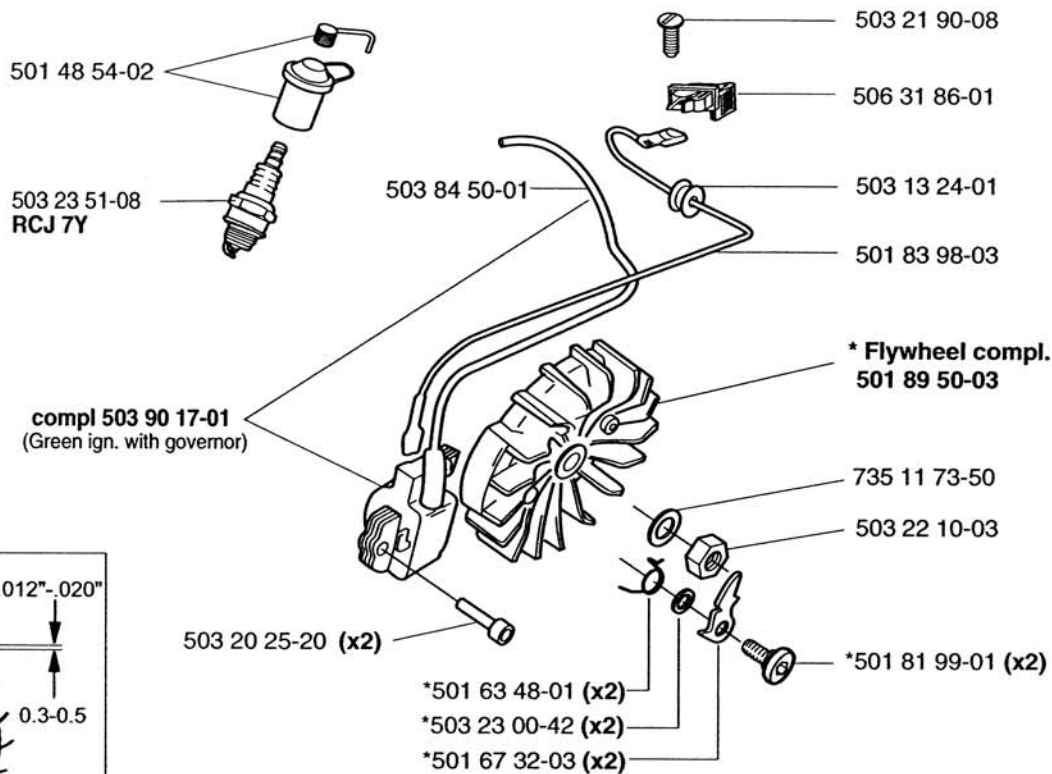


H

* Starter compl. 506 27 55-01

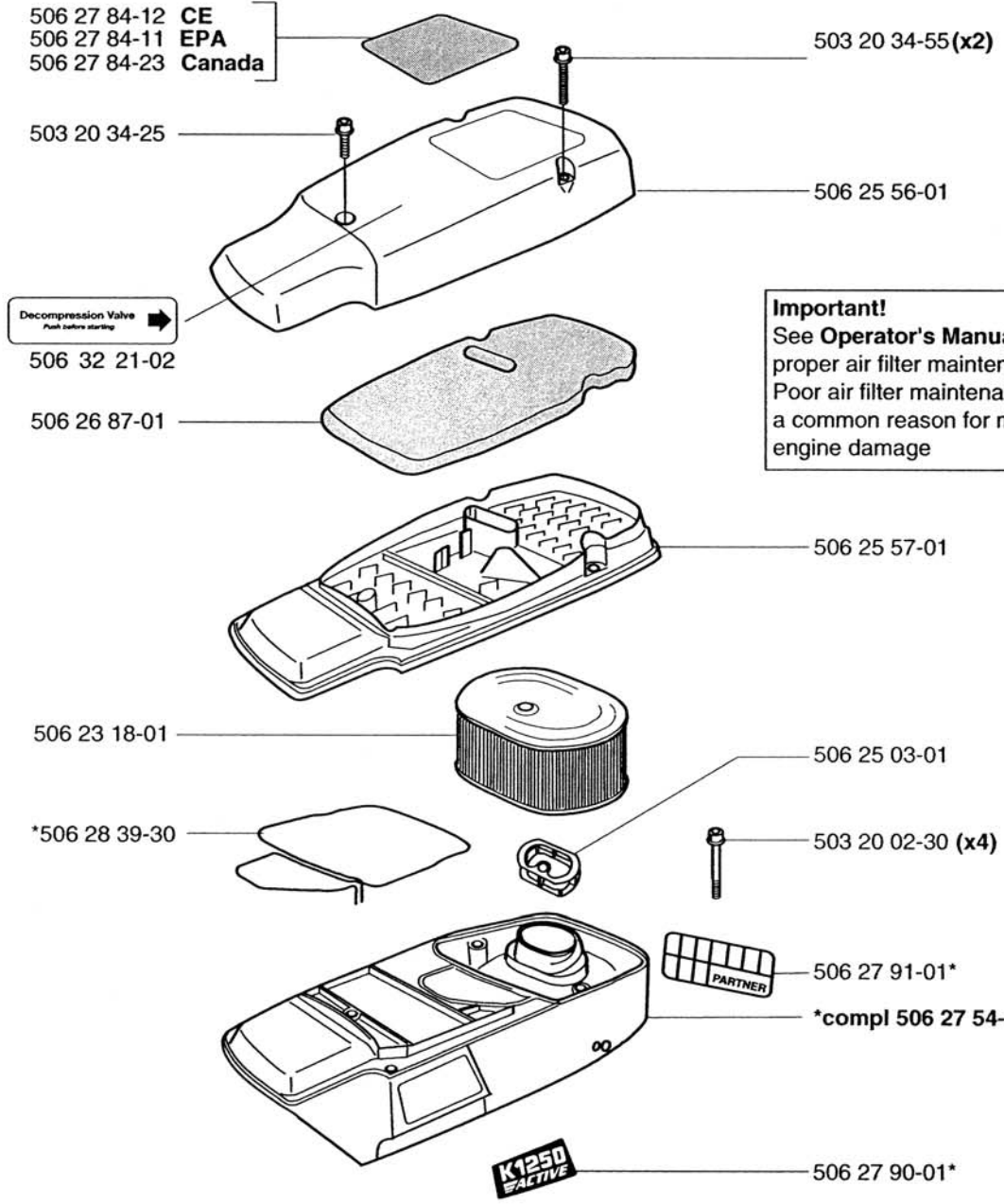


J



K

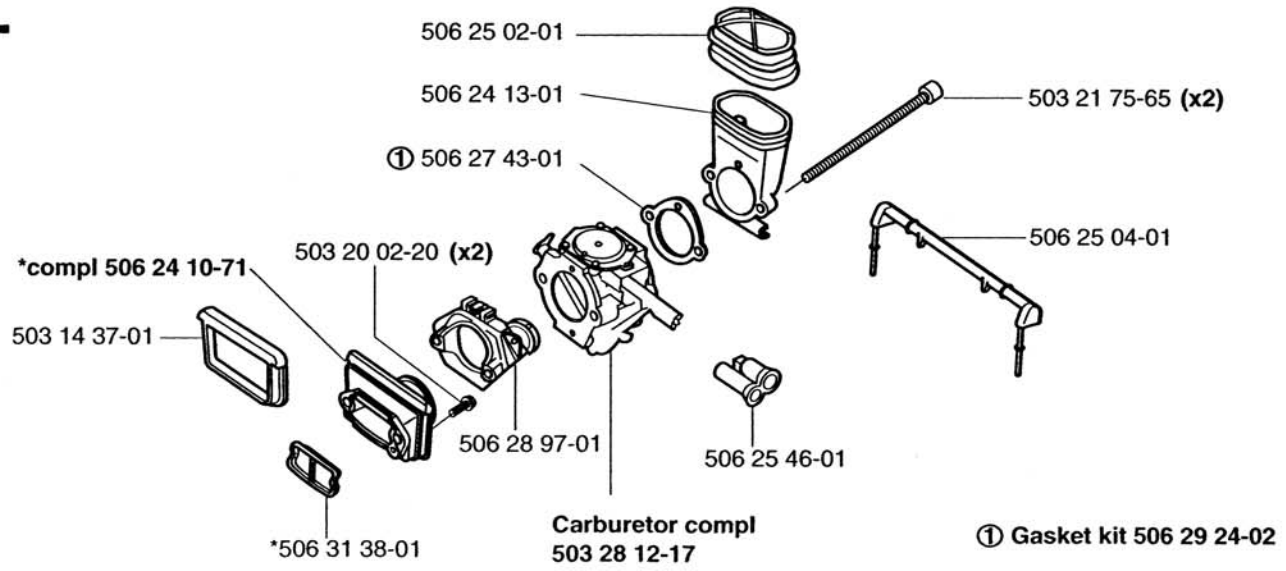
- 506 27 84-12 CE
- 506 27 84-11 EPA
- 506 27 84-23 Canada



Important!
See **Operator's Manual** for proper air filter maintenance. Poor air filter maintenance is a common reason for major engine damage

Decompression Valve
Push before starting

L

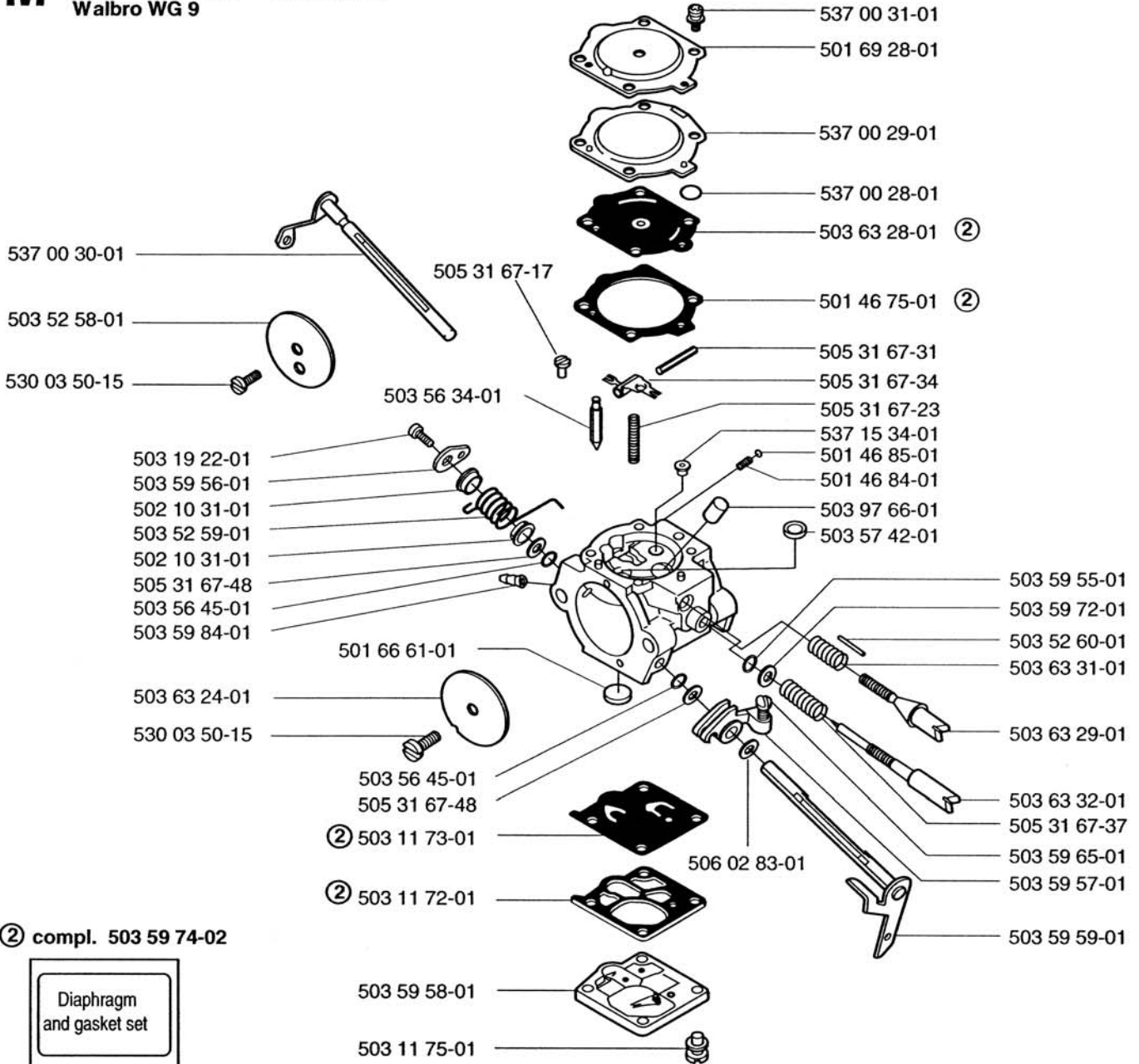


Carburetor compl
503 28 12-17

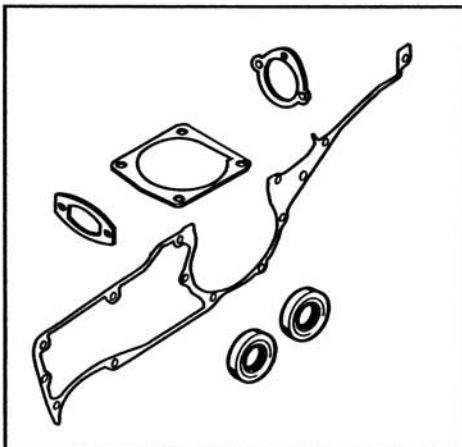
① Gasket kit 506 29 24-02

M

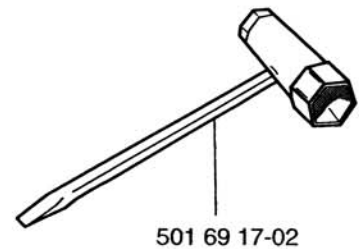
Carburetor compl. 503 28 12-17
Walbro WG 9



N



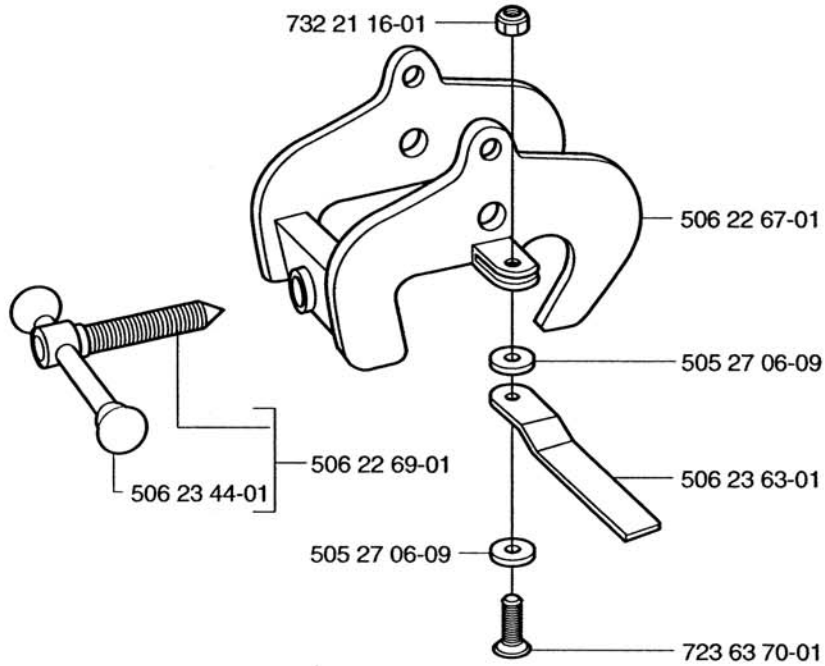
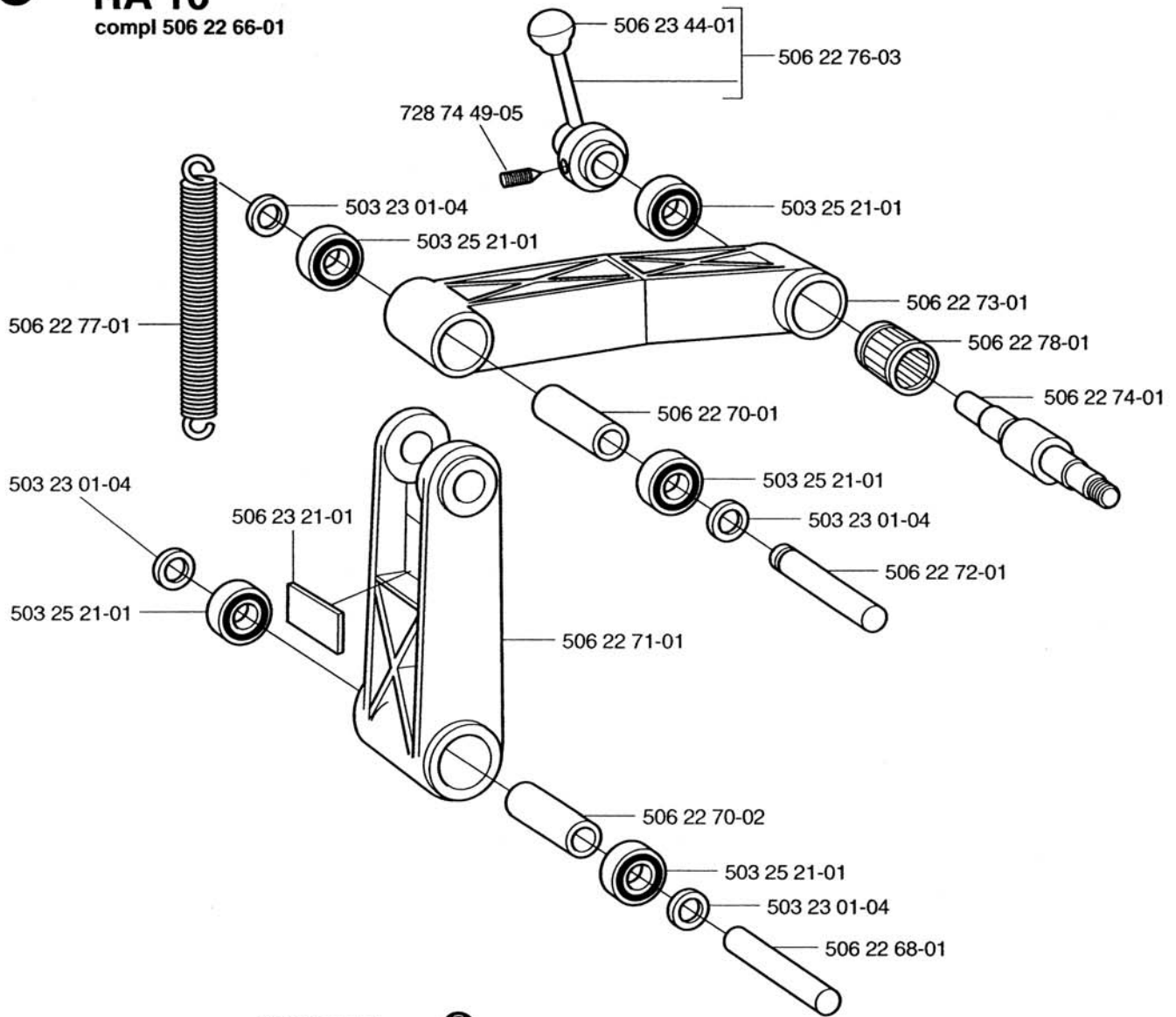
①
506 29 24-02



O

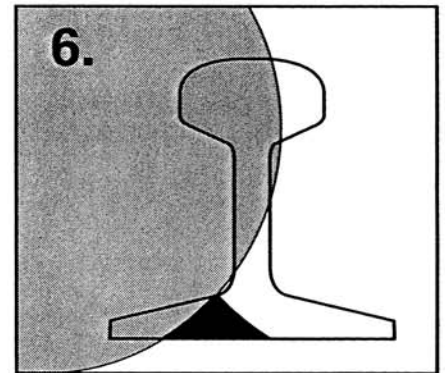
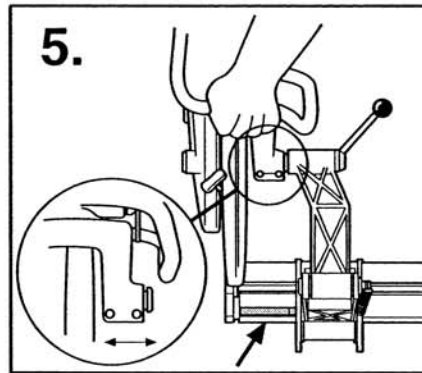
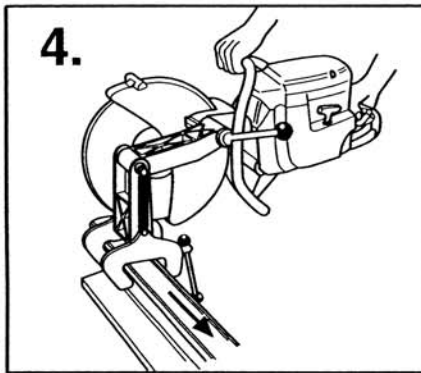
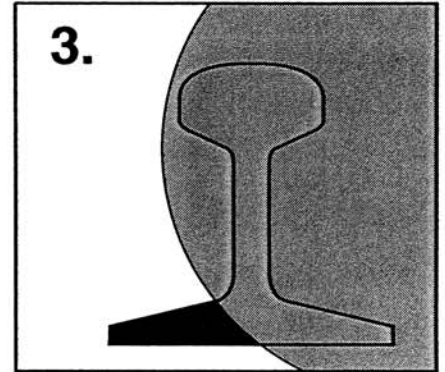
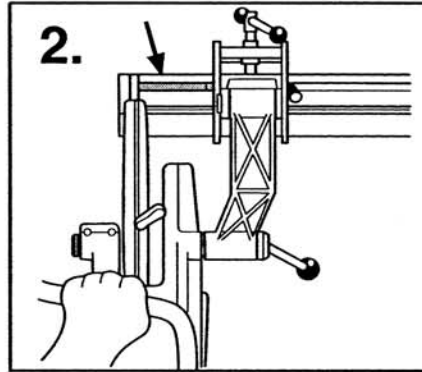
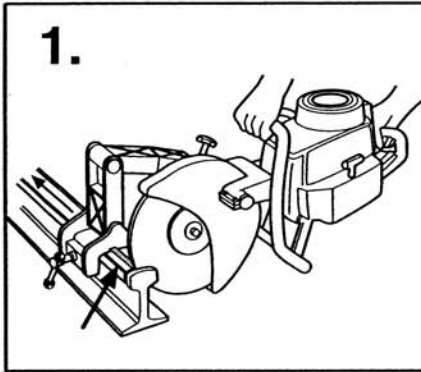
RA 10

compl 506 22 66-01



No. A	DESCRIPTION
503 23 01-04	Washer 15 x 21
503 25 21-01	Ball bearing
505 27 06-09	Gasket
506 22 66-01	Rail cutting
506 22 67-01	Bracket
506 22 68-01	Shaft
506 22 69-01	Handle
506 22 70-01	Pipe
506 22 70-02	Pipe
506 22 71-01	Arm
506 22 72-01	Shaft
506 22 73-01	Arm
506 22 74-01	Shaft
506 22 76-03	Handle
506 22 77-01	Spring
506 22 78-01	Support bushing
506 23 21-01	Decal
506 23 44-01	Ball
506 23 63-01	Plate
723 63 70-01	Screw
728 74 49-05	Screw
732 21 16-01	Locknut M6

P



Instruction for rail cutting with Partner machines and RA10 fixture

1. Attach the fixture to the rail and hook up the machine as shown in fig. 1.
2. At the very first cut, the guiding pin shall be cut to correct length. This will give the position for the following cuts.
3. Cut the rail as shown in fig. 3.
4. Loosen the machine from the fixture and place it on the opposite side of the rail.
5. Adjust the adjustable bushing so that the two cuts will meet. (This needs only to be done at the veryfirst cut).
6. Finish the cutting from the opposite side as shown in fig. 6.

No.	Pos.	Description	No.	Pos.	Description	No.	Pos.	Description
501 26 97-04	D	Antivib element	503 22 65-04	G	Nut	506 25 53-01	G	Handle
501 27 08-01	D	Sleeve	503 22 66-01	A	Nut	506 25 56-01	K	Filter cover
501 46 75-01	M	Gasket	503 23 00-01	J	Washer 4,2 x 9	506 25 57-01	K	Filter base
501 46 84-01	M	Spring	503 23 00-05	E	Washer 6.5x11	506 25 58-01	H	Starter housing
501 46 85-01	M	Ball	503 23 00-42	J	Washer 10x5,3x1	506 25 59-32	G	Fuel cap
501 48 54-02	J	Spark plug conn.kit	503 23 01-04	A	Washer 15x21	506 26 41-01	G	Fuel filter
501 63 48-01	J	Spring	503 23 43-02	H	Washer	506 26 41-11	G	Fuel filter compl.
501 66 61-01	M	Screen	503 23 51-08	E, J	Spark plug RCJ7Y	506 26 63-02	B	Lining
501 67 32-03	J	Pawl	503 25 00-02	F	Ball bearing 6203C3	506 26 64-01	B	Flange
501 69 17-02	N	Combination tool	503 25 21-01	A	Ball bearing	506 26 65-01	B	Flange
501 69 28-01	M	Cover	503 25 38-01	C	Needle bearing	506 26 66-01	A	Tensioner
501 76 83-04	G	Hose	503 26 02-05	D	Sealing ring	506 26 68-01	A	Spring
501 81 47-01	G	Antivib element	503 28 12-17	L, M	Carburettor	506 26 70-38	A	Cutting arm 16"
501 81 57-01	D	Bolt	503 28 90-26	E	Piston ring	506 26 84-01	C	Bushing
501 81 99-01	J	Screw M5x14	503 52 58-01	M	Choke flap	506 26 87-01	K	Foam filter
501 83 98-03	J	Lead	503 52 59-01	M	Spring	506 26 97-02	D	Plug
501 87 25-01	G	Tank vent	503 52 60-01	M	Pin	506 27 11-01	G	Fuel filter weight
501 89 25-73	D	Crankcase cpl.	503 56 34-01	M	Inlet needle	506 27 17-01	C	Clutch cover
501 89 41-03	E	Piston cpl.	503 56 45-01	M	Sealing ring	506 27 43-01	L	Gasket
501 89 50-03	J	Flywheel cpl.	503 57 42-01	M	Welch plug	506 27 49-01	E	Exhaust pipe
501 89 59-02	H	Air conductor	503 57 76-02	G	Hose 300 mm	506 27 54-01	K	Cylinder cover
501 89 67-01	H	Pulley	503 57 89-01	G	Holder	506 27 55-01	H	Starter cpl.
502 10 31-01	M	Bushing	503 59 55-01	M	O-ring	506 27 84-11	K	Decal USA EPA
503 11 72-01	M	Gasket	503 59 56-01	M	Lever	506 27 84-12	K	Decal CE
503 11 73-01	M	Diaphragm	503 59 57-01	M	Lever	506 27 84-23	K	Decal Canada EPA
503 11 75-01	M	Screw with washer	503 59 58-01	M	Cover	506 27 87-01	E	Support, muffler
503 12 79-02	H	Starter handle	503 59 59-01	M	Throttle shaft	506 27 89-01	H	Decal
503 13 00-02	E	Muffler cpl.	503 59 65-01	M	Screw	506 27 90-01	K	Decal K1250
503 13 13-04	E	Gasket	503 59 72-01	M	Washer	506 27 91-01	K	Decal, instruction
503 13 16-01	G	Throttle catch	503 59 74-02	M	Diaphragm set	506 27 92-38	A	Cover, belt
503 13 18-01	G	Spring	503 59 84-01	M	Nipple	506 28 39-30	K	Sealing
503 13 20-01	D	Grommet	503 60 04-01	G	Plug	506 28 40-24	B	Label 16"-25,4
503 13 24-01	J	Grommet	503 63 24-01	M	Throttle valve	506 28 44-01	A	Bolt
503 13 25-01	G	Antivib element	503 63 28-01	M	Diaphragm	506 28 59-01	C	Spacer sleeve
503 13 26-01	G	Antivib element	503 63 29-01	M	Screw (idle speed)	506 28 73-01	A	Nut
503 13 27-01	G	Antivib element	503 63 31-01	M	Spring	506 28 84-01	B	Flange
503 13 29-01	E, F	Needle bearing	503 63 32-01	M	Screw (low speed)	506 28 97-01	L	Flange, intake
503 13 36-01	G	Throttle lever	503 66 56-01	E	Valve	506 28 98-01	G	Throttle wire cpl.
503 13 46-01	E	Gasket	503 84 50-01	J	Ignition wire	506 29 02-26	B	Guard 16"
503 13 50-01	H	Recoil spring	503 90 17-01	J	Ignition module	506 29 21-01	G	Gasket
503 14 05-01	G	Plate	503 97 66-01	M	Jet	506 29 24-02	G, E, N	Gasket set
503 14 20-72	F	Crankshaft cpl.	504 35 72-01	G	Tank vent filter	506 29 39-01	G	Tank vent
503 14 21-07	G	Tank unit cpl.	505 31 67-17	M	Screw	506 29 42-71	E	Cylinder cpl
503 14 23-01	G	Throttle catch, kit	505 31 67-23	M	Lever spring	506 29 81-01	C	Decal
503 14 37-01	L	Sealing	505 31 67-31	M	Lever axle	506 29 83-63	A	Arbor shaft
503 14 49-01	C	Clutch cpl.	505 31 67-34	M	Lever	506 29 85-01	H	Starter rope
503 14 51-01	C	Clutch spring	505 31 67-37	M	Spring	506 31 38-01	L	Insert
503 14 54-02	D	Grommet	505 31 67-48	M	Washer	506 31 86-01	J	Stop switch
503 19 22-01	M	Screw	506 02 83-01	M	Washer	506 32 21-02	K	Decal "Decompression"
503 20 00-45	A	Screw	506 03 88-01	B	Warning decal	506 32 48-01	B	Sleeve
503 20 02-10	G	Screw	506 03 95-20	B	Bushing 20mm	506 34 14-01	E	Air guide
503 20 02-12	B, D, G	Screw	506 03 95-22	B	Bushing 22.2mm, 7/8"	506 34 46-03	B	Handle
503 20 02-16	A	Screw	506 03 95-25	B	Bushing 25.4mm, 1"	506 34 74-38	A	Belt
503 20 02-20	L, D	Screw	506 07 08-01	A	Spacer	530 03 50-15	M	Screw, shutter
503 20 02-25	G	Screw	506 07 09-01	B	Flange washer Ø 119	537 00 28-01	M	O-ring
503 20 02-30	K	Screw	506 07 18-02	A	Pulley	537 00 29-01	M	Insert
503 20 02-65	D	Screw 5x65	506 13 95-11	B	Washer	537 00 30-01	M	Choke shaft
503 20 03-12	G	Screw 5x12	506 13 96-01	B	Screw	537 00 31-01	M	Screw
503 20 25-20	J	Screw	506 14 90-01	G	Support	537 15 34-01	M	Jet
503 20 30-11	A	Screw	506 22 75-01	A	Bushing, threaded	720 12 40-20	G	Pin
503 20 34-25	H, K	Screw	506 23 18-01	K	Housing	720 12 78-06	G	Pin 4x35
503 20 34-55	K	Screw	506 23 34-01	G	Protector	721 42 06-00	D	Pin
503 21 05-25	G	Screw	506 23 70-01	D	Air jet	725 53 27-55	G	Screw
503 21 06-16	H	Screw	506 24 10-71	L	Intake pipe compl.	725 53 29-55	B	Screw 5x16
503 21 06-32	G	Screw	506 24 13-01	L	Air horn	725 53 31-55	B, D	Screw 5x20
503 21 45-16	G	Screw	506 24 14-01	D	Cutting arm	725 53 39-55	D	Screw 5x40
503 21 60-25	E	Screw	506 25 01-01	G	Support	725 53 41-55	G	Screw 5x50
503 21 64-01	E	Bolt	506 25 02-01	L	Insert	725 53 68-55	G	Screw 6x16
503 21 75-65	L	Bolt	506 25 03-01	K	Insert	725 53 70-55	D, G	Screw 6x20
503 21 90-08	J	Screw	506 25 04-01	L	Support, carburettor	729 53 40-01	E	Screw
503 22 00-01	C, D	Nut M8	506 25 43-01	D	Choke control	735 11 73-50	J	Spring washer
503 22 10-03	J	Nut M 10x1	506 25 46-01	L	Guide	735 88 06-00	F	Woodruff key
503 22 20-07	E	Nut	506 25 49-02	C	Drive wheel (16")	737 44 13-00	E	Clip