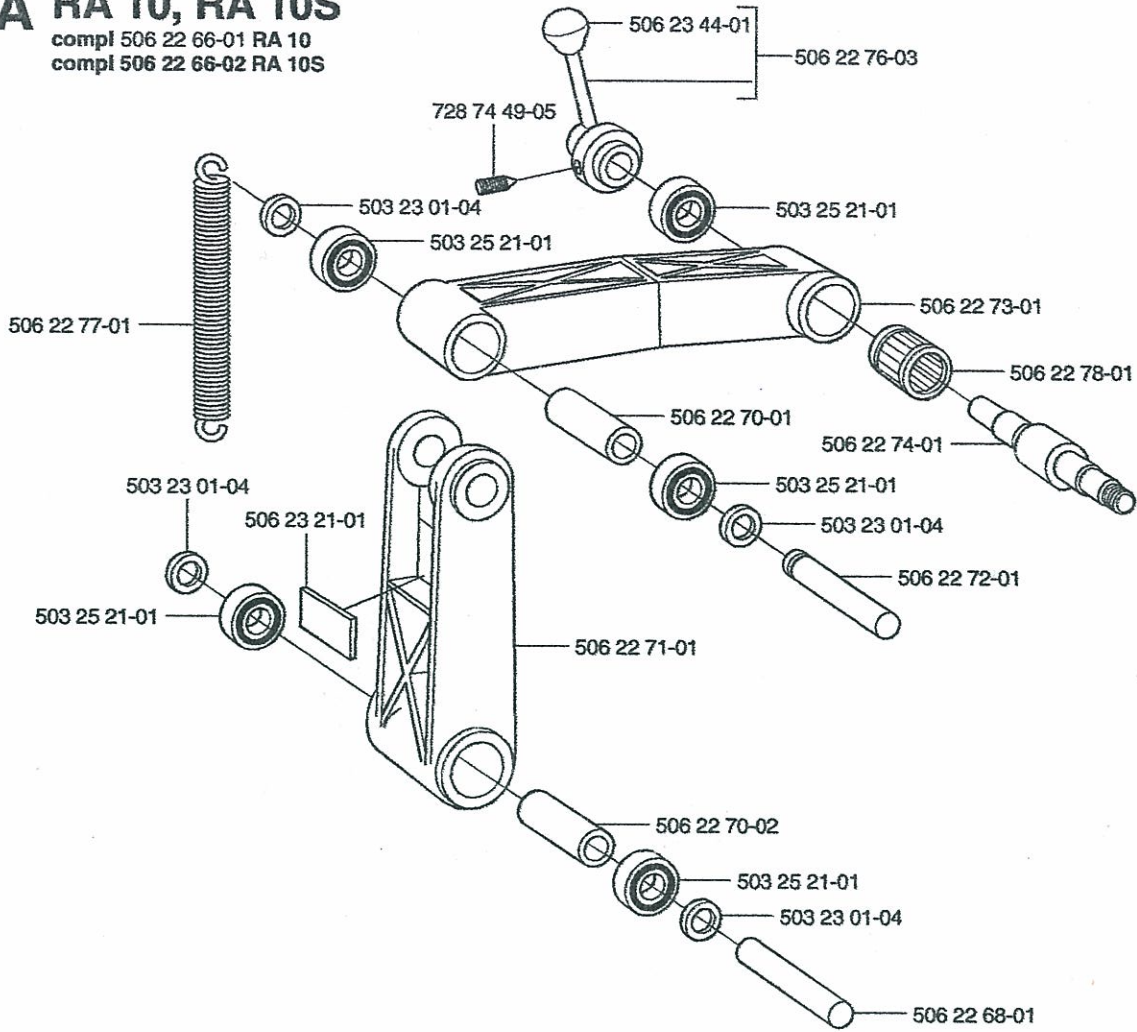
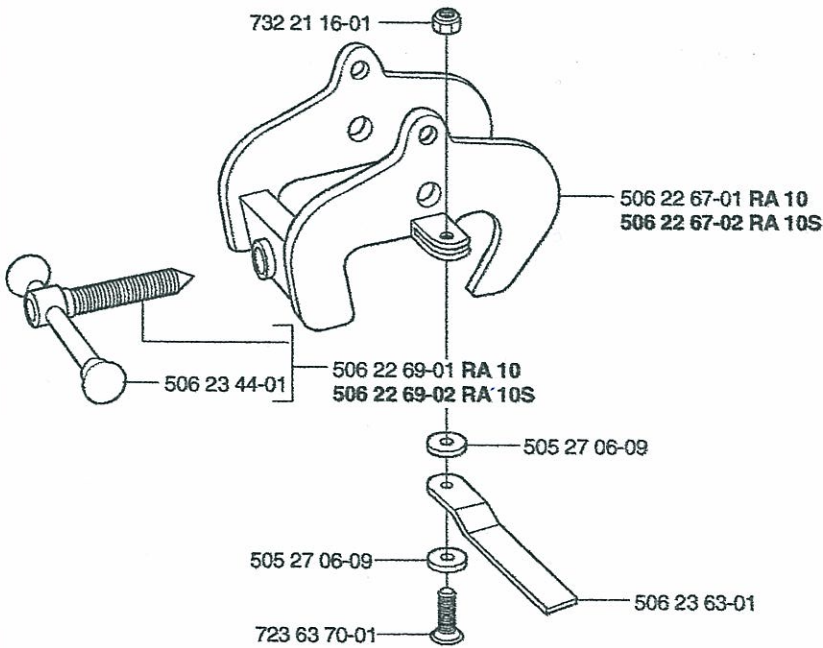


A RA 10, RA 10S

compl 506 22 66-01 RA 10
compl 506 22 66-02 RA 10S



108
103



No. A	DESCRIPTION
503 23 01-04	Washer 15 x 21
503 25 21-01	Ball bearing
505 27 06-09	Gasket
506 22 66-01	Rail cutting
506 22 66-02	Rail cutting
506 22 67-01	Bracket
506 22 67-02	Bracket
506 22 68-01	Shaft
506 22 69-01	Handle
506 22 69-02	Handle
506 22 70-01	Pipe
506 22 70-02	Pipe
506 22 71-01	Arm
506 22 72-01	Shaft
506 22 73-01	Arm
506 22 74-01	Shaft
506 22 76-03	Handle
506 22 77-01	Spring
506 22 78-01	Support bushing
506 23 21-01	Decal
506 23 44-01	Ball
506 23 63-01	Plate
723 63 70-01	Screw
728 74 49-05	Screw
732 21 16-01	Locknut M6