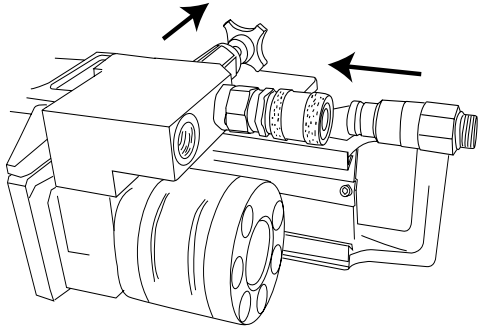


Arbor Retrofit Kit Instructions for 10942 Hydraulic Drill

1

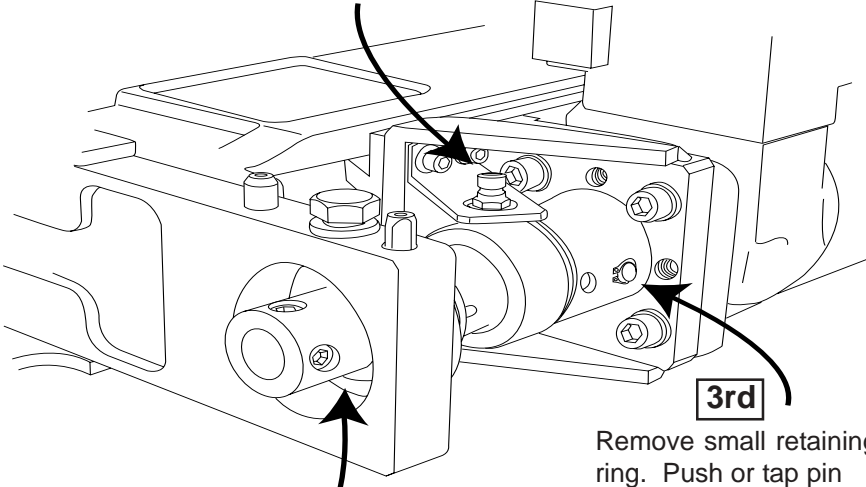
Remove Male Coupling with a 1" wrench. Insert into Female coupling. Turn on hydraulic switch (Pull Up). This will allow you to turn arbor freely.



Some hydraulic fluid will flow out when arbor is rotated!

2

1st Remove nipple using 1/2" socket.

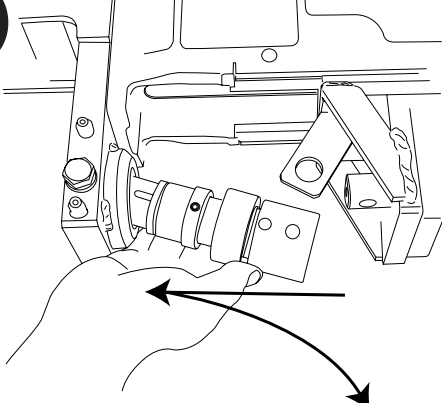


2nd Remove large retaining ring.

3rd Remove small retaining ring. Push or tap pin flush with arbor. Rotate arbor 180°. Remove pin holding arbor onto output shaft.

Please Call Technical Support if you need any help 866-245-3745.

3

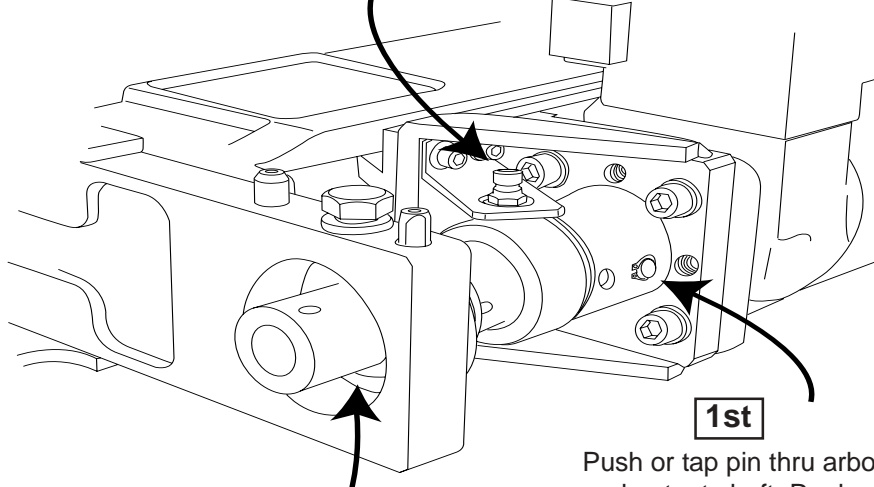


Remove Arbor and discard

5

Remember to reattached hydraulic coupling when finished with arbor.

3rd Replace nipple using 1/2" socket.

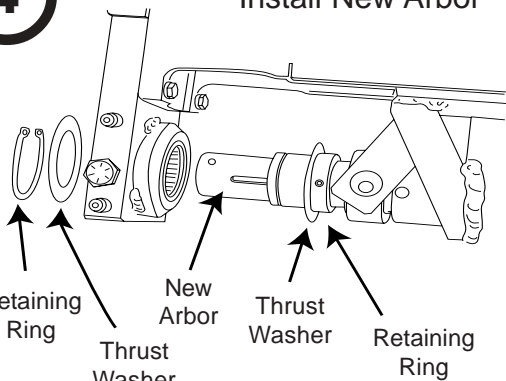


1st Push or tap pin thru arbor and output shaft. Replace small retaining ring.

2nd Replace large retaining ring.

4

Install New Arbor



Retaining Ring
Thrust Washer
New Arbor
Thrust Washer
Retaining Ring



3001 Hougen Drive • Swartz Creek, MI 48473
Phone: 866-245-3745 • Fax: 800-309-3299
www.trak-star.com • info@trak-star.com